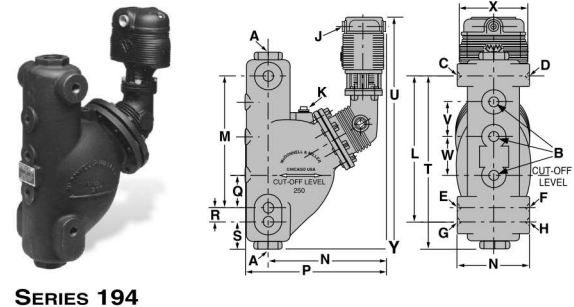


## Low Water Cut-Offs – Mechanical Combination Low Water Cut-Off/Pump Controllers for Steam Boilers

### Series 194 Low Water Cut-Off/Pump Controllers

- For commercial, and industrial low or high pressure steam boilers
- Maintains consistent water level regardless of pressure
- For boilers of any steaming capacity
- Water column with integral tapplings for gauge glass and tri-cock installations
- No. 5 Switch included
- Magnetic repulsion eliminates need for bellows
- Optional features
  - Manual reset
- 7B switch (135 ohm proportional signal) control to maintain constant boiler water level
- 1 1/4" NPT connections
- Maximum pressure 250 psi (17.6 kg/cm<sup>2</sup>)
- Ten bolt flange



SERIES 194

### Electrical Ratings

345 VA at 120 or 240 VAC

### Ordering Information

| Model Number | Part Number | Description   | Weight lbs. (kg) |
|--------------|-------------|---|------------------|
| 194          | 166600      | Combination low water cut-off/pump controller w/Series 5 switch | 72.0 (32.7)      |
| 194-A        | 166700      | 194 w/alternate tapplings                                       | 72.0 (32.7)      |
| 194-A-7B     | 167100      | 194-A w/Series 7B switch  | 72.0 (32.7)      |
| 194-M        | 166900      | 194 w/manual reset  | 72.0 (32.7)      |
| 194-7B       | 167200      | 194 w/Series 7B switch  | 72.0 (32.7)      |
| 194-7BM      | 167300      | 194-7B w/manual reset   | 72.0 (32.7)      |
| 194-B        | 166701      | 194 w/alternate tapplings                                       | 72.0 (32.7)      |

### Dimensions, in. (mm)

| Model | A<br>NPT | B<br>NPT | C<br>NPT | D<br>NPT | E<br>NPT | F<br>NPT | G<br>NPT | H<br>NPT | J<br>NPT | K<br>NPT |
|-------|----------|----------|----------|----------|----------|----------|----------|----------|----------|----------|
| 194   | 1 1/4    | 1/2      | 1/2      | 1/2      | 1/2      | 1/2      | –        | –        | 1/2      | 3/4      |
| 194-A | 1 1/4    | 1/2      | 1/2      | 1/2      | –        | –        | 1/2      | 1/2      | 1/2      | 3/4      |
| 194-B | 1 1/4    | 3/4      | 3/4      | 3/4      | –        | –        | 3/4      | 3/4      | 1/2      | 3/4      |

| Model | L            | M            | N             | P             | Q            | R          | S          |
|-------|--------------|--------------|---------------|---------------|--------------|------------|------------|
| 194   | –            | 11 5/8 (295) | 6 3/4 (171.4) | 13 1/16 (332) | 2 13/16 (71) | 1 1/4 (32) | 2 3/8 (60) |
| 194-A | 12 7/8 (327) | –            | 6 3/4 (171.4) | 13 1/16 (332) | 2 13/16 (71) | 1 1/4 (32) | 2 3/8 (60) |
| 194-B | 12 7/8 (327) | –            | 6 3/4 (171.4) | 13 1/16 (332) | 2 13/16 (71) | 1 1/4 (32) | 2 3/8 (60) |

| Model | T            | U            | V      | W      | X       | Y              |
|-------|--------------|--------------|--------|--------|---------|----------------|
| 194   | 17 1/4 (438) | 20 1/2 (521) | 3 (76) | 3 (76) | 6 (152) | 10 13/16 (274) |
| 194-A | 17 1/4 (438) | 20 1/2 (521) | 3 (76) | 3 (76) | 6 (152) | 10 13/16 (274) |
| 194-B | 17 1/4 (438) | 20 1/2 (521) | 3 (76) | 3 (76) | 6 (152) | 10 13/16 (274) |